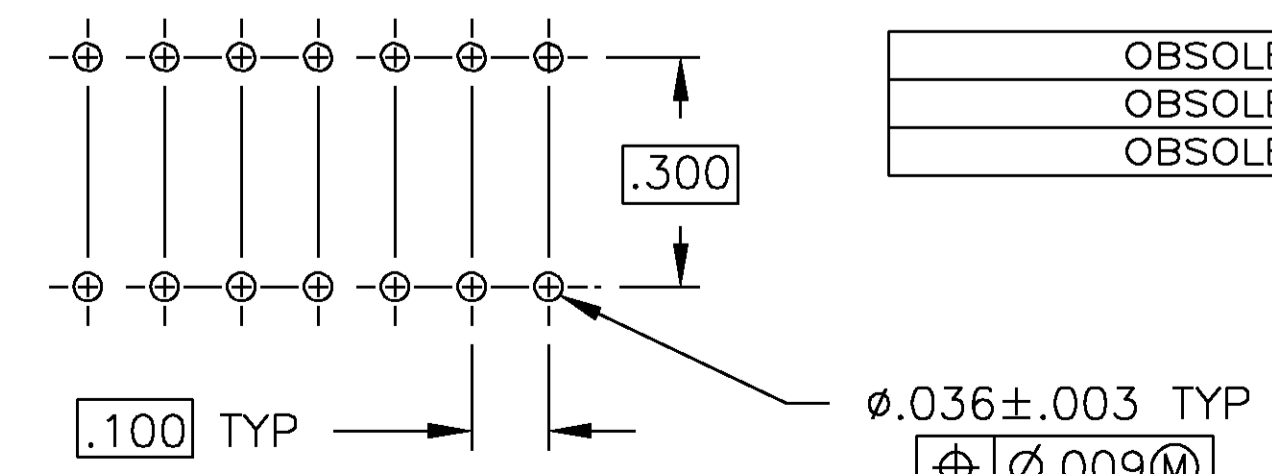
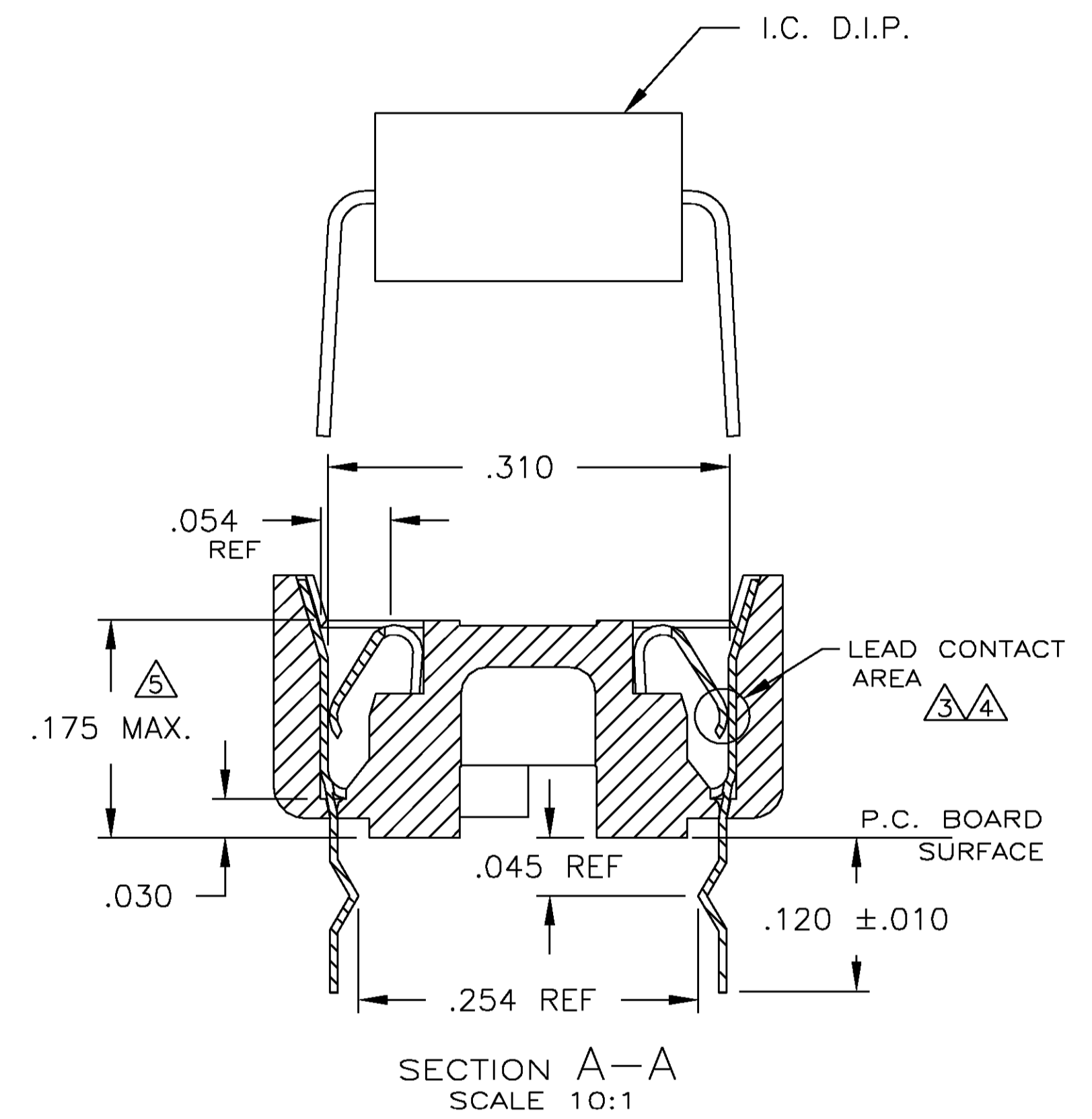
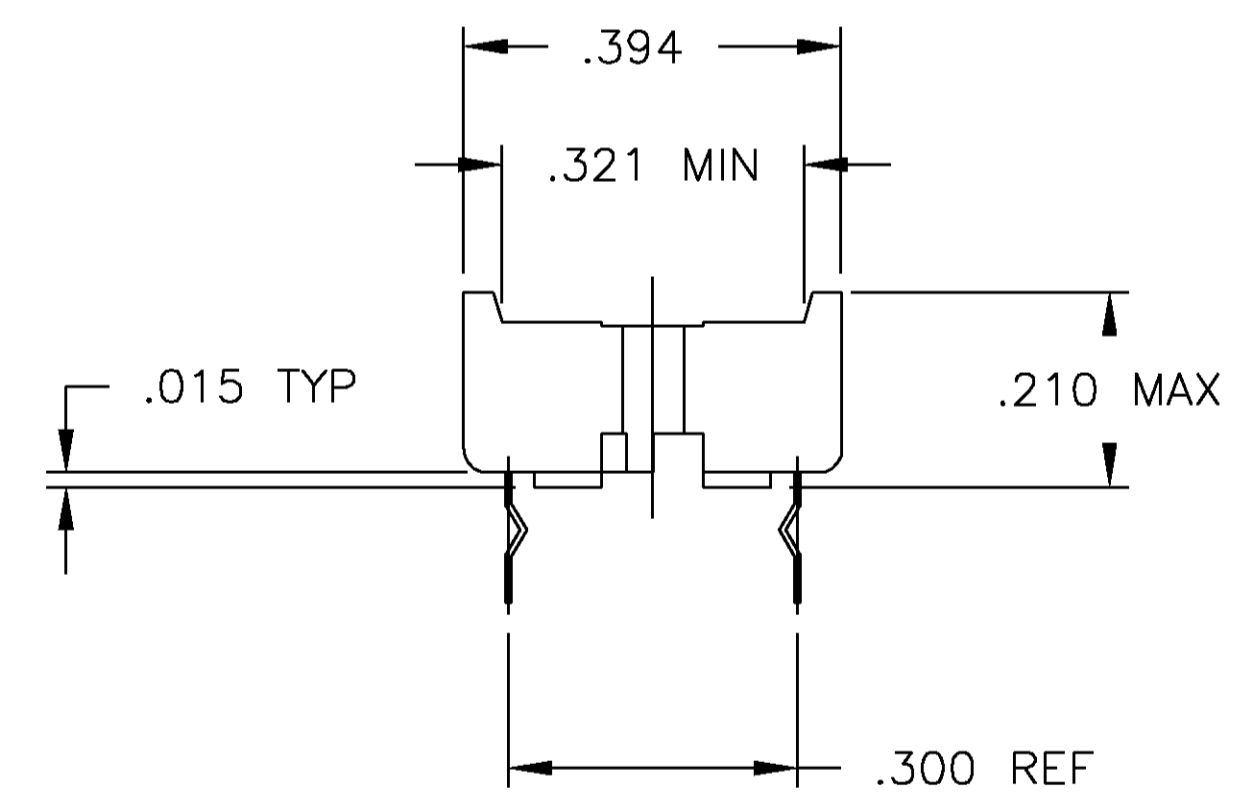
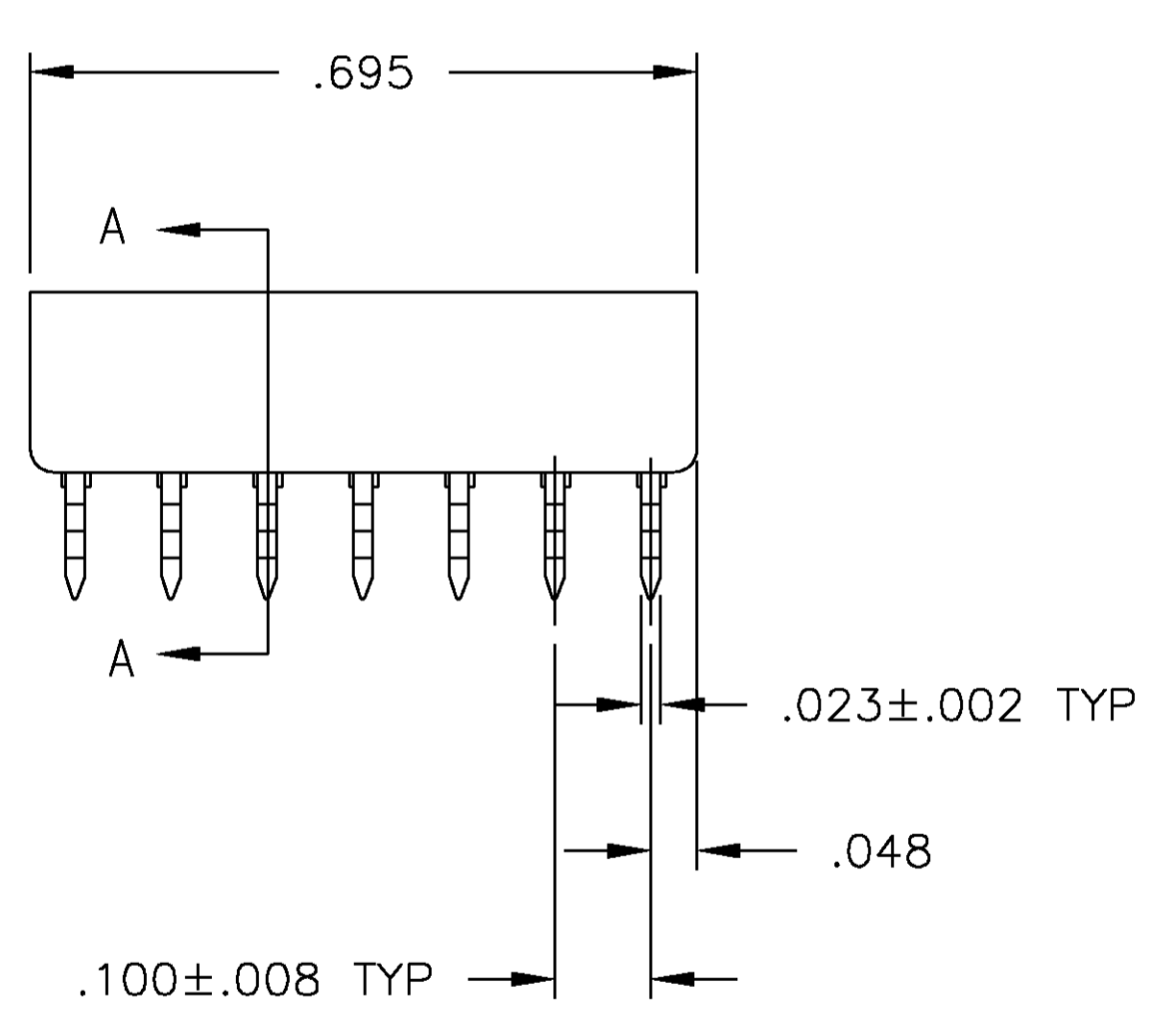
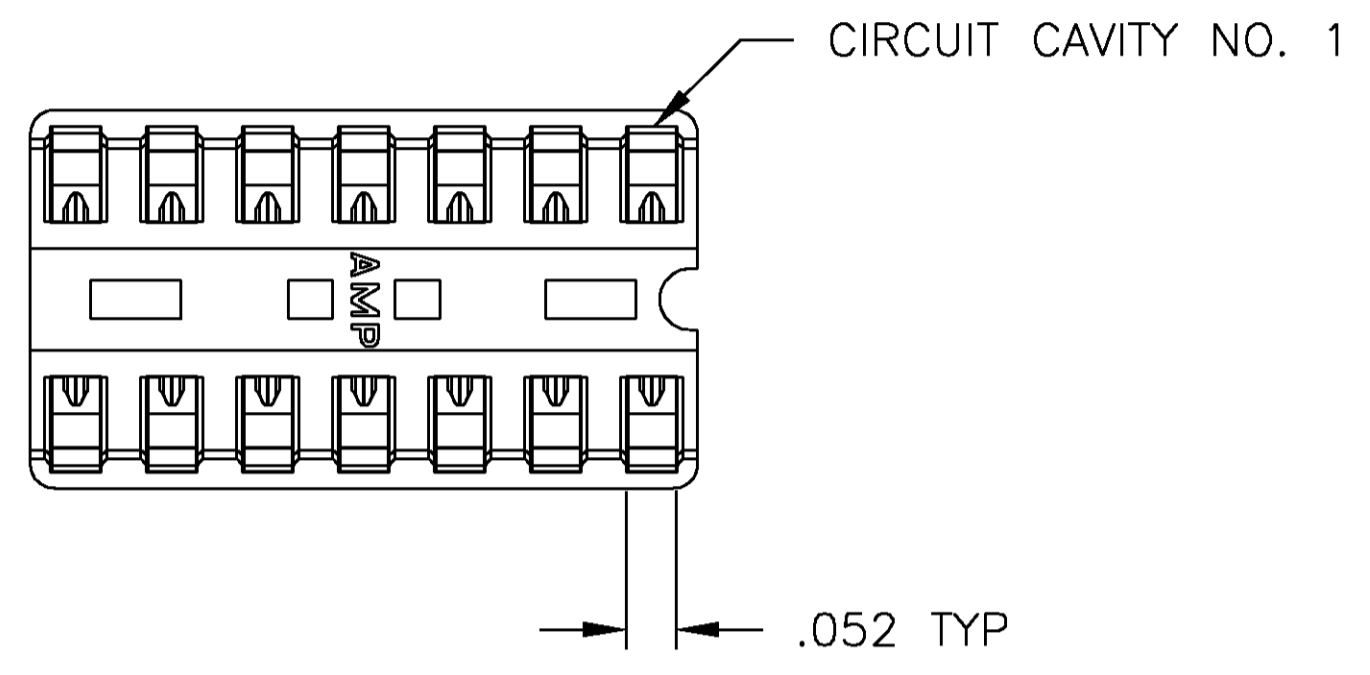


1. RECEPTACLE ACCEPTS A .008-.014 THICK I.C. LEAD.
2. TUBE LOADED.
3. TWO .000030 MIN THK. GOLD STRIPES IN CONTACT AREA WITH TIN-LEAD (93/7) ON CONTACT LEGS, BALANCE OF CONTACT NICKEL PLATED.
4. TWO .000015 MIN THK. GOLD STRIPES IN CONTACT AREA WITH TIN-LEAD (93/7) ON CONTACT LEGS, BALANCE OF CONTACT NICKEL PLATED.
5. MAXIMUM DIMENSION FOR I.C. SEATING PLANE.



RECOMMENDED MOUNTING HOLE PATTERN
SCALE 4:1

OBSOLETE	△	PHOS.BRZ. .006 THK	GLASS-FILLED THERMOPLASTIC, 94V-O, BLACK	2-641261-4
OBSOLETE	TINNED	PHOS.BRZ. .006 THK	GLASS-FILLED THERMOPLASTIC, 94V-O, BLACK	2-641261-3
OBSOLETE	△	BE.CU. .006 THK	GLASS-FILLED THERMOPLASTIC, 94V-O, BLACK	2-641261-2
	TINNED	BE.CU. .006 THK	GLASS-FILLED THERMOPLASTIC, 94V-O, BLACK	2-641261-1
CONTACT FINISH		CONTACT MAT'L	HOUSING MATERIAL	PART NO.

THIS DRAWING IS A CONTROLLED DOCUMENT.		DWG R BROWN	09JAN01	Tyco Electronics Corporation Harrisburg, PA 17105	
DIMENSIONS: INCHES		APVD H WYNKOOP	24AUG00	NAME SOCKET ASSY, DIP, RET LEG, 14 POS, DIPLOMATE™ DL	
TOLERANCES UNLESS OTHERWISE SPECIFIED:		PRODUCT SPEC	108-1066	SIZE A1	
0 PLC ± -		APPLICATION SPEC	114-1049	CAGE CODE	00779
1 PLC ± -		WEIGHT	-	DRAWING NO	641261
2 PLC ± -		CUSTOMER DRAWING		SCALE	5:1
3 PLC ± .005		RESTRICTED TO		SHEET	1 OF 1
4 PLC ± -		REV		R	
ANGLES ± -					